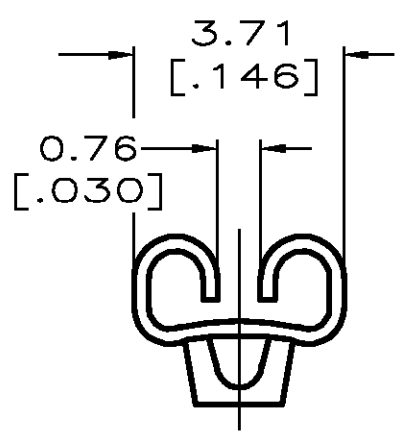
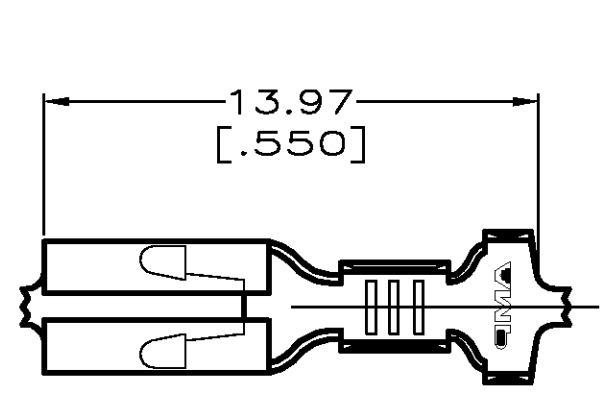
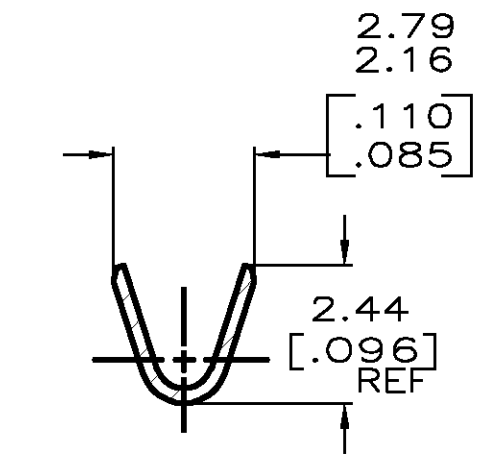
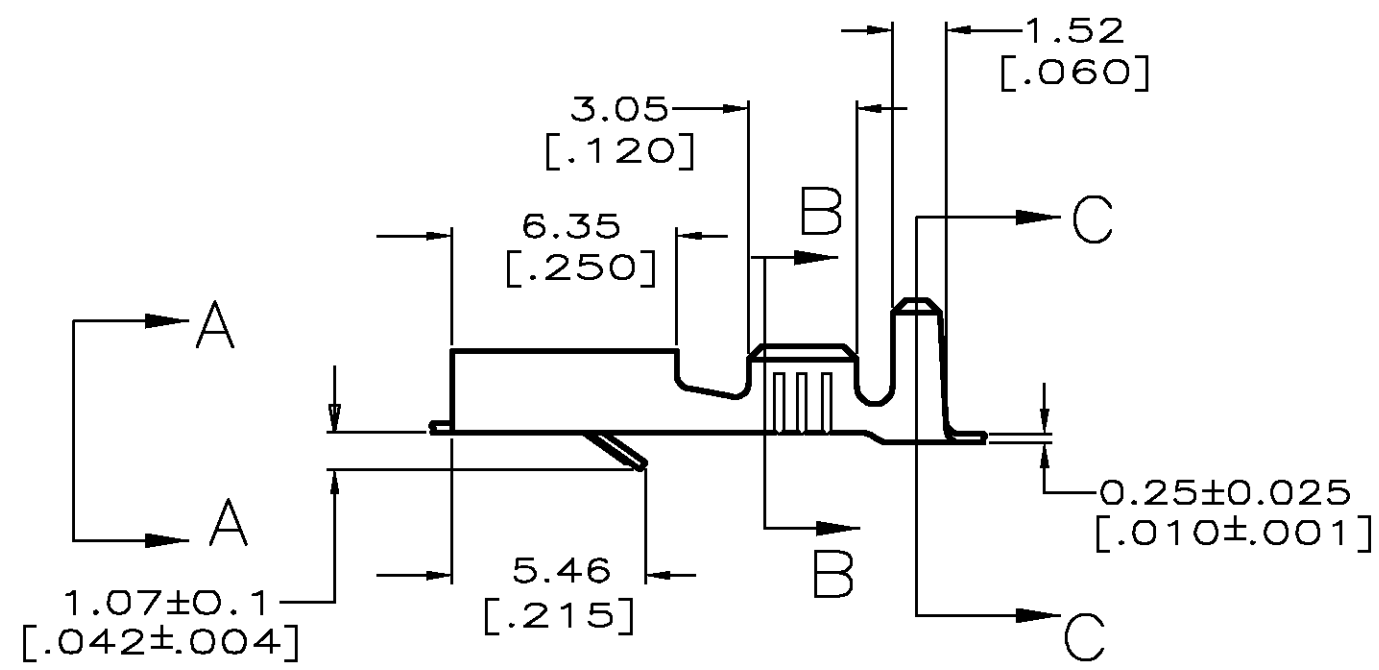


LOC	DIST	REVISIONS				
P	LTR	DESCRIPTION	DATE	DWN	APVD	
AF	50	L	REL PER OG3A-0547-02	12DEC02	JR ND	

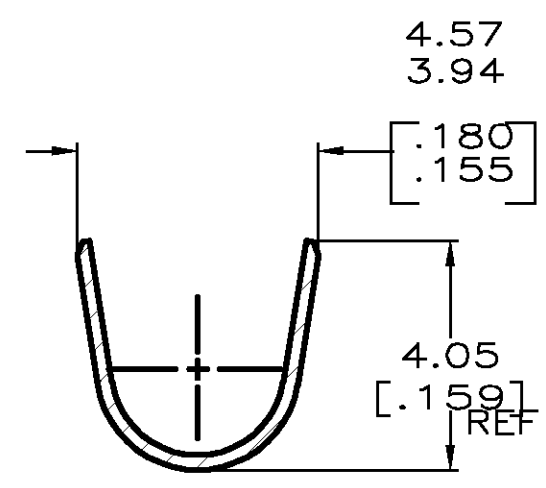


VIEW A-A  
SCALE 8:1

- 1 CONTINUOUS STRIP ON REELS.
- 2 MATING TAB THK TO BE  $0.51 \pm 0.025$   $[\cdot 020 \pm \cdot 001]$ .
- 3 WIRE SIZE IS  $[\#22 - \#18]$  AWG.
- 4 INSULATION RANGE IS 2.03-3.05  $[\cdot 080 - \cdot 120]$  DIA.



SECTION B-B  
SCALE 8:1



SECTION C-C  
SCALE 8:1

0.002032 $[\cdot 000080]$ MIN PRE-TIN	63241-3
<del>0.002032 <math>[\cdot 000080]</math> MIN TIN</del>	<del>63241-2</del>
-	63241-1
FINISH	PART NO.

**OBSELETE**

TYPE	WIDTH	STRIP LENGTH	TYPE	WIDTH	HEIGHT	WIRE
F	3.56 $[\cdot 140]$	3.96 $[\cdot 156]$	F	1.78 $[\cdot 070]$	0.94 $[\cdot 037]$	$[\#22]$
					1.02 $[\cdot 040]$	$[\#20]$
					1.14 $[\cdot 045]$	$[\#18]$
INSUL BARREL CRIMP		$\pm 0.38$ $\pm [\cdot 015]$	WIRE BARREL CRIMP		$\pm 0.51$ $[\cdot 002]$	

THIS DRAWING IS A CONTROLLED DOCUMENT.

DIMENSIONS: MM [INCHES]	TOLERANCES UNLESS OTHERWISE SPECIFIED:
	0 PLC ± -
	1 PLC ± -
	2 PLC ± 0.38 $[\cdot 015]$
	3 PLC ± -
	4 PLC ± -
	ANGLES ± -
MATERIAL: H04 BRASS	FINISH: SEE TABLE

DWN: JR RUTH 3/27/97	Tyco Electronics Corporation Harrisburg, PA 17105
CHK: MS FEHER 3/27/97	
APVD: J GILLESPIE 3/27/97	
PRODUCT SPEC: -	
APPLICATION SPEC: 114-2065	NAME: RECEPTACLE, FASTIN-FASTON, 2.79 $[\cdot 110]$ SERIES
WEIGHT: -	SIZE: A3 CAGE CODE: 00779 DRAWING NO: 63241 RESTRICTED TO: -
CUSTOMER DRAWING	SCALE: 5:1 SHEET: 1 OF 1 REV: L